



FWT PERISTALTIC DISPENSERS

FWT (Fluid and Water Technology) offers a wide range peristaltic dispensers to satisfy most of technical requirements present in the application duties where these products are used, always keeping to offer high quality products. All products are accompanied by single product Data sheet. If you are interested to receive our complete catalogue and price list, please contact our International sales department. All the products are manufactured according **CE regulations**.

VPER-N series

Peristaltic series **VPER-N** features **flow rate adjustment**. Electronic control and multivoltage range allows accurate adjustment from 10÷100% of motor rpm.

A reinforced polypropylene housing IP65 rating, nipples and hose nut, rapid installation and quick wall mounting support make this series suitable for small installations. Each pump is provided with a standard accessory Kit according to the different application.

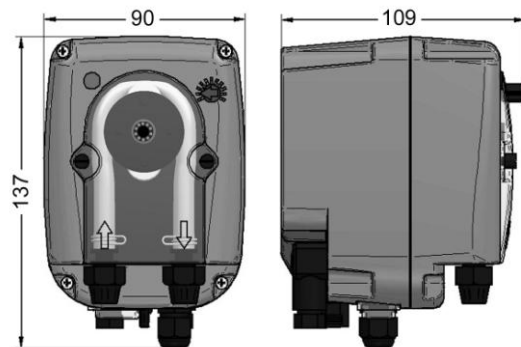
Peristaltics are suitable for viscous liquids (such as soaps and detergents); Peristaltics are self-priming.

VPER-N peristaltics series main applications:

- Small swimming pool
- Biotechnologies systems
- Hygiene cleaning systems (industrial dishwashing machines)
- Industrial Laundry machines



DIMENSIONS



Type	Net weight
1-3	0,70 kg
4-3	0,80 kg
12-1	0,90 kg
12-1,5	0,90 kg

Accessory kit provided with VPER-N:

The type of kit required with the unit must be selected in advance:

Peristaltic accessories for detergent, type **KIT DET**:

- 1- Injection fitting 90° PP/EPDM o-rings
- 1- Filter fitting PP/AISI body/EPDM o-rings
- 4 m- Suction Hose PVC (flexible)



Peristaltic accessories for brightener, type **KIT BRIGHT**:

- 1- Injection fitting 3/8" 90°/AISI Ball valve/EPDM
- 1- Filter fitting PP/AISI body/EPDM o-rings
- 4 m- Suction Hose PVC (flexible)
- 1- T connection



Peristaltic accessories water treatment, type **KIT WT**:

- 1- Injection fitting 3/8" PP-PVC / no-return valve FPM
- 1- Filter PP / FPM o-rings
- 4 m- Suction Hose PVC (flexible)



ACCESSORIES

AISI/PP strainer



Injection PP / AISI fitting 90°



Nickel / PP injection fitting



Water treatment filter/foot valve



Water treatment injection valve



"T" connection



VPER-N MAIN FEATURES



PERISTALTICS MAIN APPLICATION DUTIES

INDUSTRIAL CLEANING APPLICATIONS:

- dispensing detergent into industrial dishwashing machines
- brightener for rinsing cycle in dishwashing machines
- dispensing requirements for industrial laundry duties



WATER TREATMENT for small systems

- dispensing flocculants and liquid polymers
- small swimming pools
- dispensing fragrances in wellness spas

BIOTECHNOLOGIES

- dispensing biological activators
- grease traps for restaurants
- odor control

VPER-N series: flow adjustment



VPER-N peristaltic dispensers **with flow adjustment** from 10 to 100%, enclosed into IP 65 reinforced polypropylene housing. The flow is controlled by adjusting the motor speed by means of a knob placed on the front panel.

- Power rating **multivoltage 90÷260V 50/60Hz**
- Santoprene standard hose (Silicon on request); Norprene standard 12-1,5 type
- ON-OFF power switch and cable (3m) • LED indicator (Green)
- Provided with accessories kit

UPON REQUEST

- Level control and floating level switch (LED yellow)
- Quick power connector instead of cable
- 24-12 Vac-dc

VPER-N TECHNICAL CHARACTERISTICS

Model	Type	Flow rate	Max pressure	Ø Hose	rpm	Displacement	Power consump.	Suction lift
VPER-N	1-3	1 l/h	3 bar	3,2 x 9,6 mm	27	0,60 ml/rpm	5.0 watts	1,5÷2 m
VPER-N	4-3	4 l/h	3 bar	4,8 x 9,6 mm	42	1,60 ml/rpm	10.0 watts	1,5÷2 m
VPER-N	12-1	12 l/h	1 bar	6 x 9 mm	105	1,90 ml/rpm	10.0 watts	1,5÷2 m

UPER-CD series with integral conductivity meter



UPER-CD peristaltic dispensers automatically driven by an integral CONDUCTIVITY meter (μ Siemens) enclosed in the same housing, dosing a specified concentration of detergent, automatically reinstating it if such concentration is different from the one previously set by the operator. **Direct function:** peristaltic dispenses whenever the quantity of detergent results lower than the reference solution to set with calibration.

UPER-CD conductivity range: **400 ÷ 20.000 μ S**

- Power rating 230V 50/60Hz • Fixed flow rate • CD meter calibration via adjustment knob and LED indicator
- Santoprene standard hose (Silicon on request);
- Provided with the accessories KIT DET and conductivity probe K1

UPER-CD TECHNICAL CHARACTERISTICS

Model	Type	Flow rate	Max pressure	Ø Hose	rpm	Displacement	Power consump.	Suction lift
UPER CD	1-3	1 l/h	3 bar	3,2 x 9,6 mm	27	0,60 ml/rpm	5.0 watts	1,5÷2 m
UPER CD	3-3	3 l/h	3 bar	4,8 x 9,6 mm	32	1,60 ml/rpm	10.0 watts	1,5÷2 m
UPER CD	6-1	6 l/h	1 bar	6 x 9 mm	52	1,90 ml/rpm	10.0 watts	1,5÷2 m
UPER CD	10-1	10 l/h	1 bar	6 x 9 mm	87	1,90 ml/rpm	10.0 watts	1,5÷2 m

UPER-C series: fixed flow rate



UPER-C series are peristaltic dispensers **with fixed flow rate** enclosed into IP 65 reinforced polypropylene housing.

- Power rating 230V 50/60Hz • Fixed flow rate • Santoprene standard hose (Norprene upon request) • Provided with accessories kit

UPON REQUEST

- Level control and floating level switch (LED yellow)
- Quick power connector instead of cable

UPER-C TECHNICAL CHARACTERISTICS

Model	Type	Flow rate	Max pressure	Ø Hose	rpm	Displacement	Power consump.	Suction lift
UPER-C	1-1,5	1 l/h	1,5 bar	4,8 x 8 mm	20	1,25 ml/rpm	8.0 watts	1,5÷2 m
UPER-C	3-1,5	3 l/h	1,5 bar	4,8 x 8 mm	40	1,25 ml/rpm	10.0 watts	1,5÷2 m

NOTE: motor rpm may change according to motor supplier availability; rpm may vary but flow rate will change little.

UPER series fixed flow rate



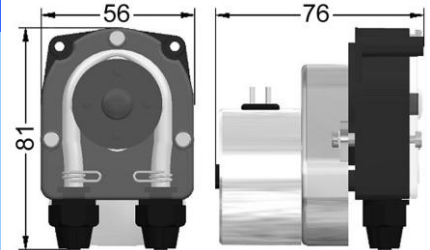
UPER series are peristaltic dispensers fixed constant flow rate without housing for inside mounting other equipment enclosures

- Power rating 230V 50/60Hz; on request 12Vdc; 24Vdc/ac;
- Fixed flow rate • Santoprene hose (Silicon on request)

* Type 6 l/h power ratings: 24Vdc

UPER TECHNICAL CHARACTERISTICS

Type	Flow rate	Max pressure	Ø Hose	rpm	Displacement	Watt
0,5	0,5 l/h	1 bar	4x7 mm	10	0,92 ml/rpm	3,5
1,1	1,1 l/h	1 bar	4x7 mm	20	0,92 ml/rpm	3,5
2,2	2,2 l/h	1 bar	4x7 mm	48	0,92 ml/rpm	10.0
3,3	3,3 l/h	1 bar	4x7 mm	60	0,92 ml/rpm	10.0
6	6 l/h	1 bar	4x7 mm	108	0,92 ml/rpm	6.0



NOTE: above flow rates are obtained testing the pump with water at room temperature and 1,5m suction height, indicating peristaltic max flow against working pressure; injection valve losses are not indicated.

VPER-HF series: variable HIGH flow rate



VPER-HF series is peristaltic dispenser for High Flow rate performances and **flow adjustment**. Electronic control allows accurate adjustment from 10÷100% of motor rpm.

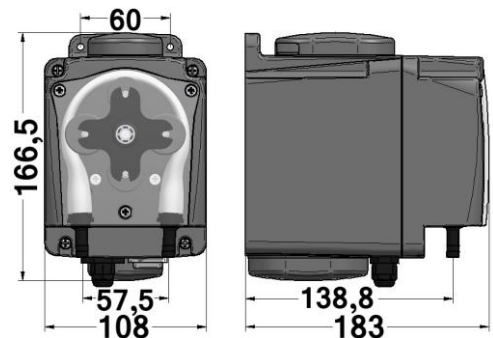
- Power rating **multivoltage 90÷260V 50/60Hz**
- High flow rate performance, with flow adjustment
- Strong plastic rollers assembly hinged at front plastic clear cover
- Rollers with guides and fastener clips ensure hose firm in place
- Reinforced polypropylene housing heat resistant IP55 rating
- Hydraulic liquid ends easy to replace or maintain.
- Santoprene hose 9,6x15,9 mm (Silicon on request)
- Available removable power cable with connector
- Available type installed on panel (only hydraulic section)

VPER-HF TECHNICAL CHARACTERISTICS

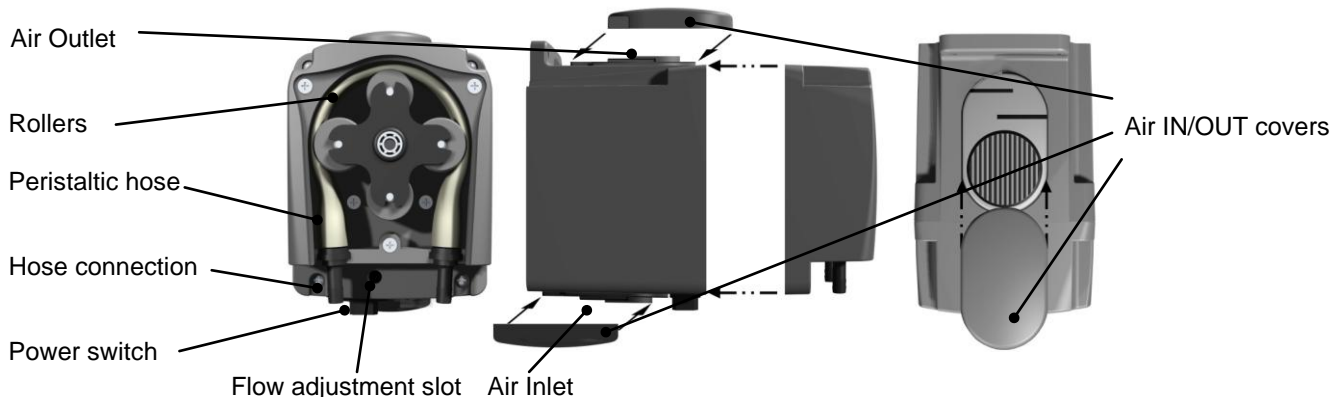
Type	Flow rate	Max pressure	Displacement	rpm*	Watt
HF100*	100 l/h	1 bar	11,1 ml/rpm	150	20

* Adjustment range 10÷100 lt/h / Hose diameter 9,6 x 15,9 mm

* **NOTE:** motor rpm may change according to motor supplier availability; rpm may vary of ± 5/10% but flow rate will not change



UPER-HF housing is designed with special openings allowing motor self-ventilation



T-VPER series: driven by a digital or analog TIMER - flow adjustment



T-VPER series: with integral TIMER (Digital or Analog settings); flow adjustment from 0 to 100%, enclosed into plastic modular box. Recommended for applications such as dosing biological activators for waste water, odours control and hydrogen peroxide control.

- Peristaltic dispenser with digital Timer (available Analog timer)
- Variable motor speed flow control (V-PER-N peristaltic series)
- Santoprene standard hose (Silicon on request); Norprene standard 12-1,5
- Provided with accessories kit for water treatment
- Power rating: 230V 50/60Hz • Optional power 24Vdc/ac; 120V

UPON REQUEST

- Level control and floating level switch (power LED turns yellow)

UPON REQUEST T-UPER

- Fixed flow (as UPER peristaltic series)

T-VPER TECHNICAL CHARACTERISTICS

Type	Flow rate	Max pressure	Displacement	rpm	Watt
1-3	1 l/h	3 bar	0,60 ml/rpm	27	5.0
4-3	4 l/h	3 bar	1,60 ml/rpm	42	10.0
12-1	12 l/h	1 bar	1,90 ml/rpm	105	10.0

Type	Flow rate	rpm	Watt
0,5	0,5 l/h	10	3,5
1,1	1,1 l/h	20	3,5
2,2	2,2 l/h	48	10.0

TIMER MAIN TECHNICAL FEATURES

TIMER 1 CHANNEL (standard) / TIMER 2 CHANNELS



ANALOG TIMER



Standard version features 1 channel digital timer: also available 2 channels timer and Analog

- Day and week programming, repeatable programs
- 24 Hours display LCD display showing hours, day of the week and functions
- 16 switching capability per Channel (8 x ON, 8 x OFF)
- Day block programming up to 56 switching programmes (1 Channel), 112 programmes (2 Channels)
- Shortest possible interval between switching points: 1 minute
- Memory up to 5 years in case of mains power failure with Lithium battery (3V)

PERISTALTICS WITH CONTROLLER for small swimming pool and electrolysis



THE SIMPLE, RELIABLE, COST EFFECTIVE SYSTEMS FOR SMALL POOLS

CTRL POOL is a compact system, with **single** or **dual** controller and peristaltic dispensers all in one enclosure. CTRL POOL

is extremely versatile and easy to operate and with excellent price/quality ratio, thanks also to important features such as:

- PH measurements can be changed to RX (Orp);
- Two programming menus: **Basic** easy menu for non-professional and **Expert** for professionals with refining measurements.

Measuring parameters:

pH-RX, pH-Chlorine*, pH-H2O2, pH (orRX)-EC conductivity

A friendly user menu programming is self-explanatory and the elegant display allows clear visualization.

